

# edikt::Eldas

[www.edikt.org/eldas](http://www.edikt.org/eldas)

Enterprise Level Data Access Services

# edikt

Eldas uses Java 2 Enterprise Edition (J2EE) technologies - including Enterprise Java Beans (EJB) - to enable Grid database access and integration.

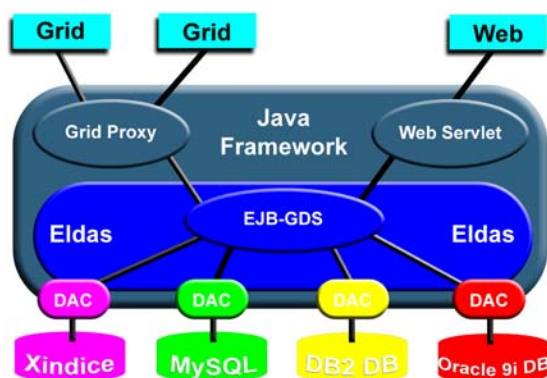
Eldas is based on the Grid Data Services Specification (GDSS) produced by the Data Access and Integration Services (DAIS) working group at the Global Grid Forum (GGF).

Eldas provides a commercial quality middleware solution, packaged as a Grid Data Service (GDS), for e-Science applications to access existing XML and Relational databases via the grid.

## Eldas Key Features:

**Machine Independence** - Java allows the deployment and provision of services across multiple machine architectures.

**Robust** - Building on established Java container environments guarantees a secure, robust, transactional product with the minimum of development effort.



Current target environments are JBoss (SourceForge.net) and Sun ONE Application Server (Sun Microsystems).

**Multi-Access** - Access to both Relational and XML databases is possible across multiple institutions. The modular design encapsulates and takes full responsibility for database and data source specifics.

Target dbms include MySQL, IBM's DB2, Oracle 9i, and Xindice (an XML dbms).

**Extensible** - Services are easily extended by inserting new components into the core product. Examples of high value extended services include:

- data annotation;
- data update monitoring and notification;
- data mediation to merge disparate objects from varied data sources;
- automatic data archiving.

This extensibility allows development of bespoke e-Science applications.

**Dual Compatibility** - Separation of business logic from the presentation layer allows service invocation using both grid and web service interfaces.

This allows Eldas to serve a larger user community.

Eldas is a product of **edikt**, based at the National e-Science Centre at the Universities of Edinburgh and Glasgow.

**edikt** will release Eldas as a core product, extending it to develop bespoke data management services for e-Science applications.

# Eldas